

Product Information/Specification Sheet

Studor Trap-Vent (Combined Air Admittance Valve & Trap for plumbing ventilation)

Description

The compact highly-styled Studor Trap-Vent is a combined trap with a 50 mm seal, and an integral AAV, reducing the need for secondary ventilating and replacing conventional S and P traps.

Designed to international standards, it is ideal for group venting and problem solving in existing buildings. The Trap-Vent is part of the Studor System which can vent an entire building without the need for conventional vents.

Features

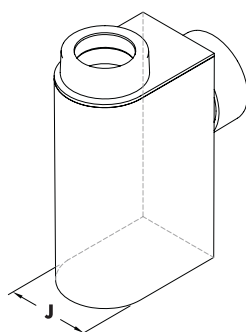
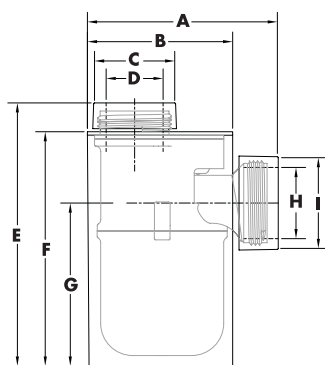
- Fits 32 mm and 40 mm pipes.
- Reduces the noise of the fixture discharge.
- Compact size.
- 50 mm water seal.
- Architectural design.
- Extremely compact design, enabling installation where space is restricted.
- Available in polished chrome and white.*
- * Alternative shapes, colours/finishes and configurations available upon request for large volume customers.

Installation

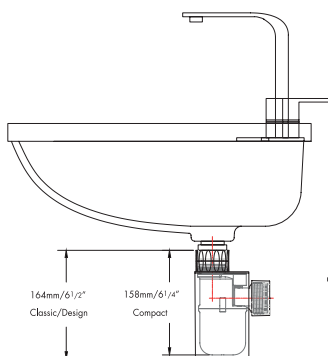
- The Trap-Vent should be connected to the piping in accordance with Studor's installation instructions.
- Refer to your local area regulations for open vent requirements.

Warranty

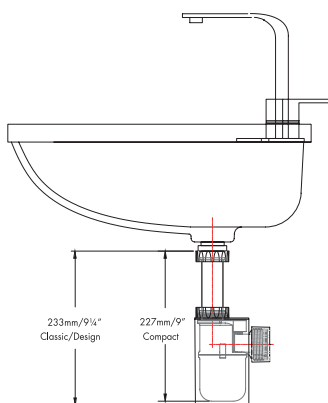
The Studor products have a lifetime warranty - equivalent to that of the drainage system in which they are installed.



Trap-vent



Minimum installation height



Maximum installation height

Dimensions

Dimension	Metric (mm)	Imperial (inches)
A	107	4.21
B	82	3.23
C	Ø 45	Ø 1.77
D	DN 32	1.25
E	148	5.83
F	132	5.20
G	92	3.62
H	DN 40	1.50
I	Ø 51	Ø 2.01
J	54	2.31

Note: Dimensions for reference only

Performance parameter

Temperature range	-0°C to +60°C (CE)
Opening pressure	-60 Pa
Max. pressure rating tightness	10,000 Pa (1m/40" H ₂ O) at 0 Pa or higher

Air flow capacity	Branch	Stack
AU/NZ	1.5 l/s / 3 FU	N/A

Materials

Component	Material
Trap-Vent body	UV stabilized ABS
Trap-Vent membrane	Synthetic rubber

Pipe sizes

AU/NZ
DN 32-40



AS/NZS 4936

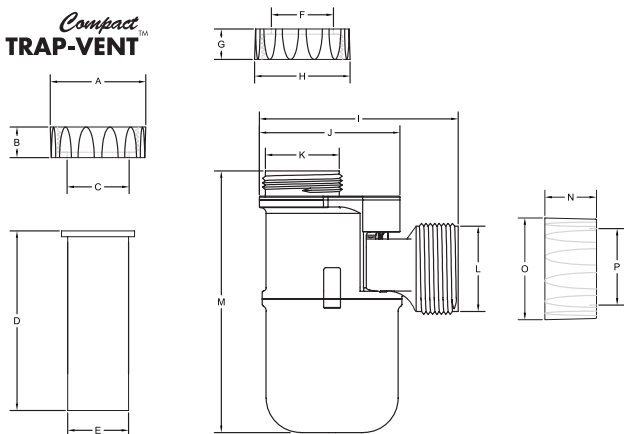
L/Nº 22122



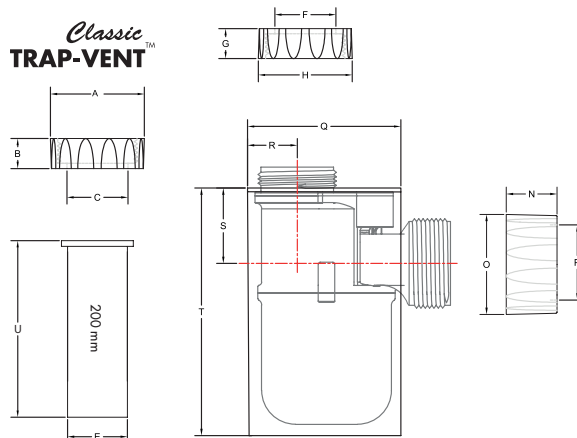
Product Information/Specification Sheet

Studor Trap-Vent (Combined Air Admittance Valve & Trap for plumbing ventilation)

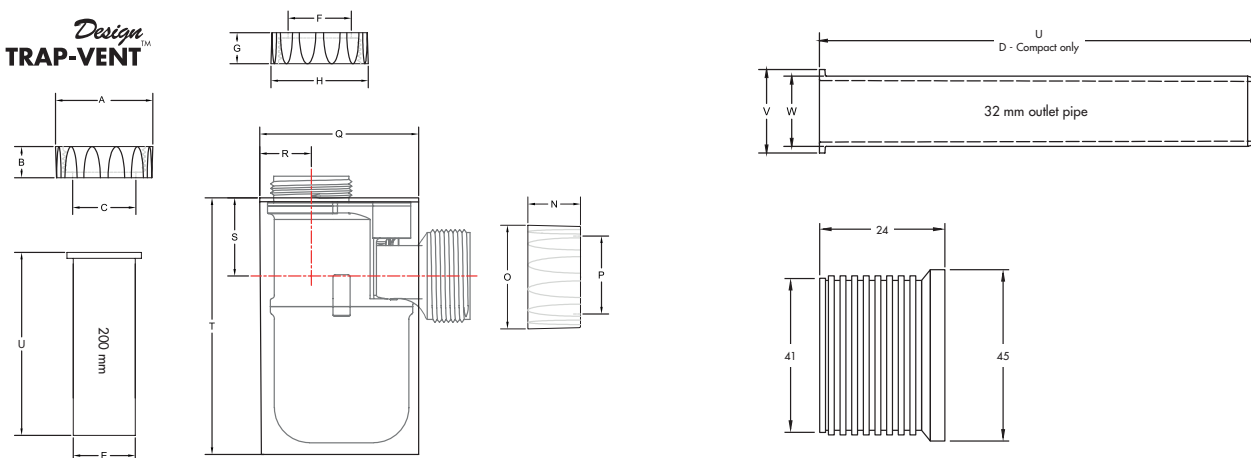
Compact TRAP-VENT™



Classic TRAP-VENT™



Design TRAP-VENT™



Dimensions

Dimension	Metric (mm)	Imperial (inches)
D	94	3.81
E	Ø 32	Ø 1.19
F	Ø 32	Ø 1.19
G (Compact/Classic)	13	0.94
G (Design)	16	0.63
H (Compact/Classic)	Ø 48	Ø 1.94
H (Design)	Ø 50	Ø 2.94
I	104	4.25
J	74	3
K	Ø 39	Ø 1.19
L	Ø 45	Ø 1.82
M	137	5.56
N	27	1.13
O	Ø 53	Ø 2.17
P	Ø 32	Ø 1.25
Q	82	3.38
R	26	1.6
S	40	1.38
T	132	5.38

Appliance connection dimensions

Dimension	Metric (mm)	Imperial (inches)
A	Ø 53	1.06
B	17	0.63
C	Ø 32	Ø 1.63

Outlet pipe dimensions (Trap-Vent design only)

Dimension	Metric (mm)	Imperial (inches)
U	200	8.81
V	Ø 38	Ø 1.57
W	Ø 32	Ø 1.19
X	230	9.38
Y	Ø 40	Ø 1.63

Note: Dimensions for reference only
Exact configuration provided will depend on the specific market.