

Product Information/Specification Sheet

Studor Redi-Vent (Air Admittance Valve for plumbing ventilation)

Description

The Studor Redi-Vent AAV is an accepted alternative to replace all forms of conventional branch venting. With localised active ventilation of the building drainage system it is proven that the Redi-Vent provides greater protection to prevent induced and self-siphonage of the fixture traps.

The Studor Redi-Vent opens and admits fresh air when the negative (suction) pressure occurs from a fixture discharging into the system. This equalizes the pressure within the system and protects the trap seal. When the flow stops, the Studor Redi-Vent closes by gravity, preventing any transmission of foul air.

The Studor Redi-Vent is used as an alternative to extending the vent pipes through the roof or sidewall.

Features

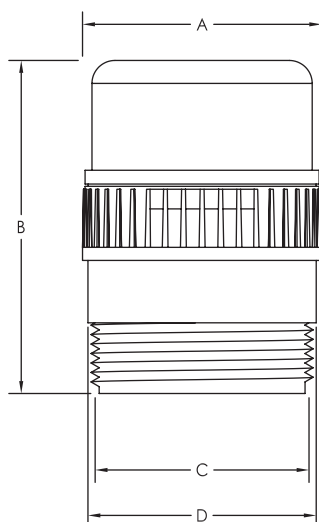
- Screening on the inside and outside of the Studor Redi-Vent to protect the internal mechanism from foreign objects.
- Prevents the release of foul air from the drainage system.
- Available in white ABS.

Installation

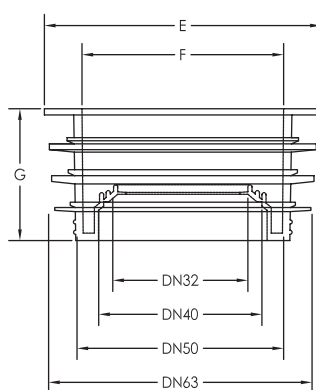
- The Studor Redi-Vent should be connected to the piping in accordance with Studor's installation instructions.
- Refer to your local area regulations for open vent requirements.

Warranty

The Studor products have a "Lifetime of System" warranty. Visit www.studor.net.au.



Redi-Vent



Global Connector

Pipe sizes

AU/NZ
DN 32-50

Using the supplied adaptor

Dimensions

Dimension	Metric (mm)	Imperial (inches)
A	Ø 52	2 1/16
B	Ø 73	2 15/16
C	DN 40	1 1/2
D	Ø 50	2 1/16
E	Ø 67	2 1/2
F	Ø 49	2
G	Ø 40	1 10/16

Note: Dimensions for reference only

Performance parameter

Temperature range	-20 to +60°C -40 to +150°F
Opening pressure	-60 Pa
Max. pressure rating tightness	10,000 Pa (1 m H ₂ O) at 0 Pa or higher

Air flow capacity	Branch	Stack
AU/NZ	2.4l/s / 10FU	N/A

Materials

Component	Material
Redi-Vent body	ABS
Redi-Vent membrane	Synthetic rubber
Global connector	TPE rubber